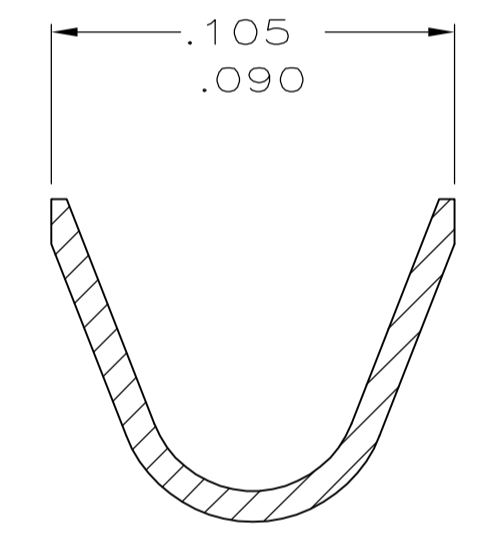
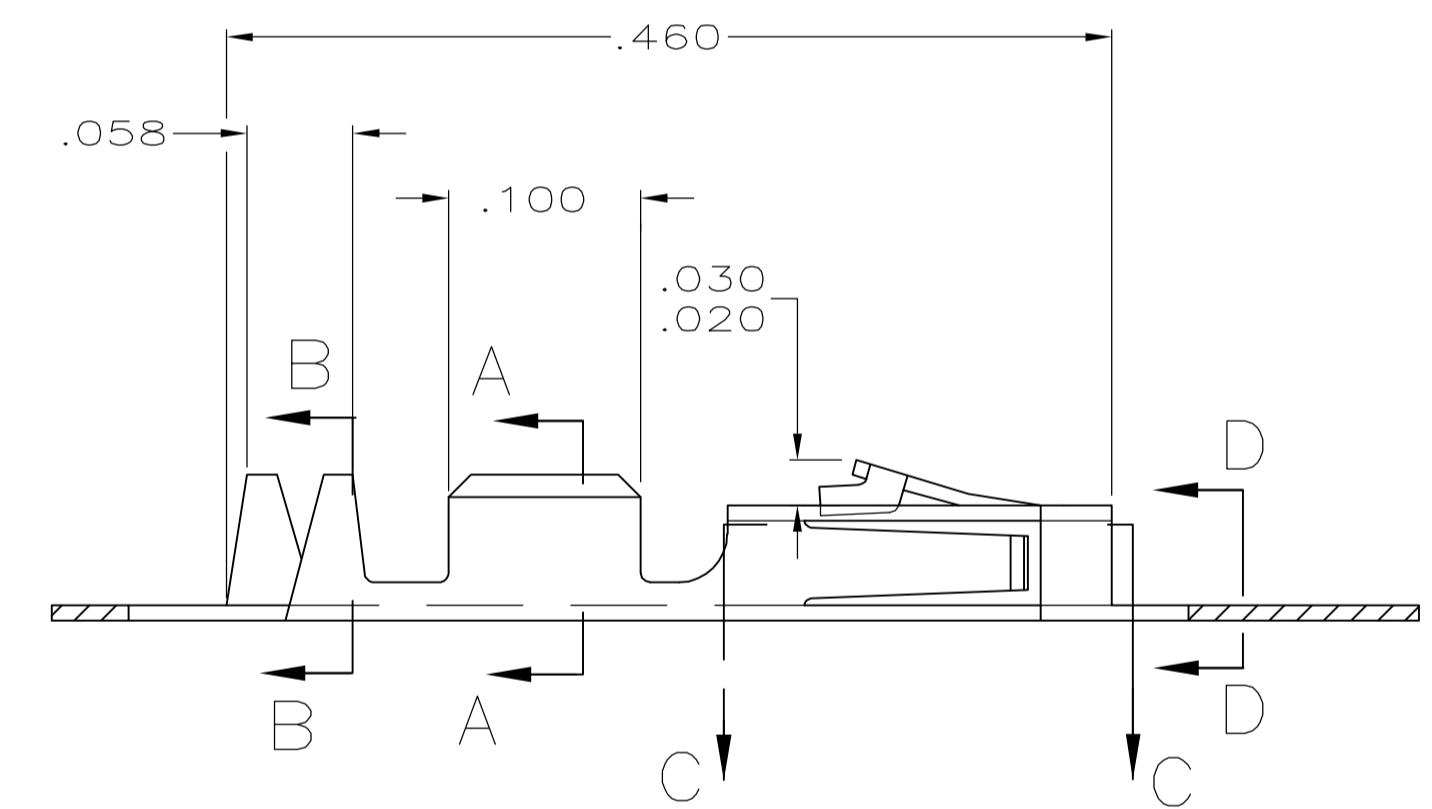
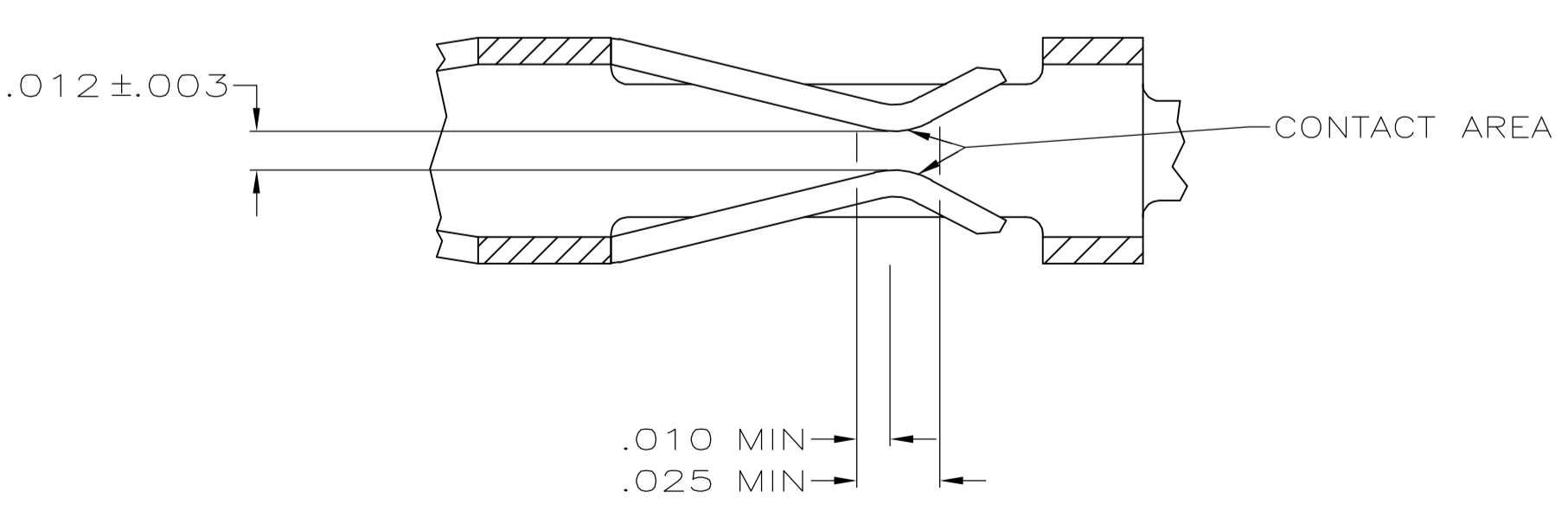


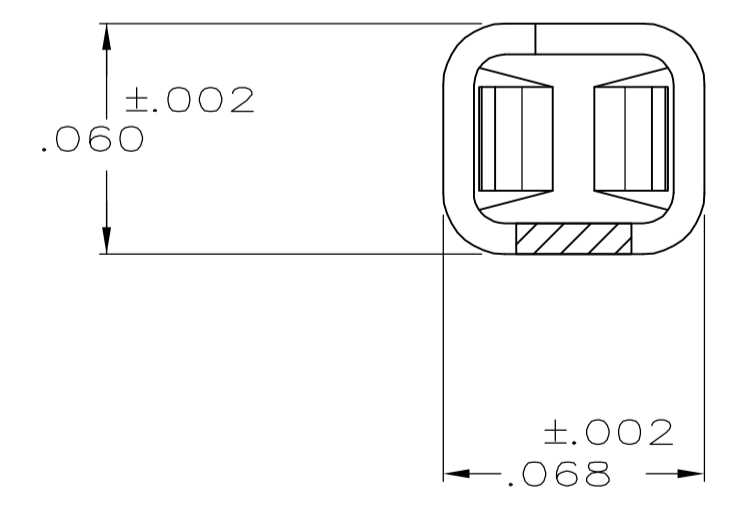
SECTION A-A
SCALE 20:1



SECTION B-B
INSULATION RANGE .025-.060
SCALE 20:1



SECTION C-C
SCALE 20:1



SECTION D-D
SCALE 20:1

- 1 .000100 MIN BRIGHT TIN-LEAD OVER .000050 MIN NICKEL ON ENTIRE CONTACT
- 2 .000050 MIN NICKEL ON ENTIRE CONTACT; .000015 MIN GOLD ON CONTACT AREA; .000050 MIN BRIGHT TIN-LEAD ON AREA M.
- 3 .000050 MIN NICKEL ON ENTIRE CONTACT; .000030 MIN GOLD ON CONTACT AREA; .000050 MIN BRIGHT TIN-LEAD ON AREA M.
- 4 LOOSE PIECE CUT-OFF DIMENSION.
- 5 .000100-.000200 TIN OVER .000050-.000100 NICKEL ON ENTIRE CONTACT.
- 6 PREPLATED MATERIAL: (.000015 MIN GOLD ON CONTACT AREA, .000050-.000100 TIN ON AREA M, ALL OVER .000050-.000100 NICKEL ON ENTIRE CONTACT).
- 7 PREPLATED MATERIAL: (.000030 MIN GOLD ON CONTACT AREA, .000050-.000100 TIN ON AREA M, ALL OVER .000050-.000100 NICKEL ON ENTIRE CONTACT).

REMARKS	FINISH	PART NO
LOOSE PIECE	REF	1-104479-3
LOOSE PIECE	REF	1-104479-2
LOOSE PIECE	REF	1-104479-1
STRIP		1-104479-0
STRIP		104479-9
STRIP		104479-8
LOOSE PIECE	REF	104479-7
LOOSE PIECE	REF	104479-6
LOOSE PIECE	REF	104479-5
STRIP		104479-4
STRIP		104479-3
STRIP		104479-2

THIS DRAWING IS A CONTROLLED DOCUMENT.

DIMENSIONS: INCHES	TOLERANCES UNLESS OTHERWISE SPECIFIED:	DWG: C. OBERMAN 5-9-89	CHK: K. HELM 5-12-89	AP'D: R. HELICKER 5-12-89	NAME: R. HELICKER	PRODUCT SPEC: 108-1472	APPLICATION SPEC: 114-25038	SIZE: A1	SCALE: 10:1	DATE: 00779	DRAWING NO: 104479	RESTRICTED TO: -
MATERIAL: PHOSPHOR BRONZE		FINISH: SEE TABLE		WEIGHT: -		CUSTOMER DRAWING		SCALE: 10:1		SHEET 1 OF 1		REV: R

tyco Electronics Tyco Electronics Corporation Harrisburg, Pa 17105-3608

CONTACT, CRIMP SNAP-IN AMPMODU SHORT POINT, 20-24 AWG